

BS Engineering – Industrial Engineering (ISE) Concentration – 2022

FRESHMAN

SOPHOMORE

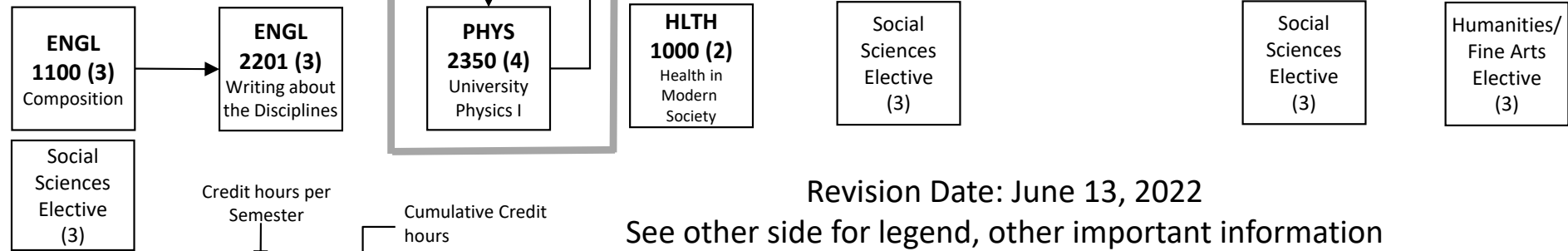
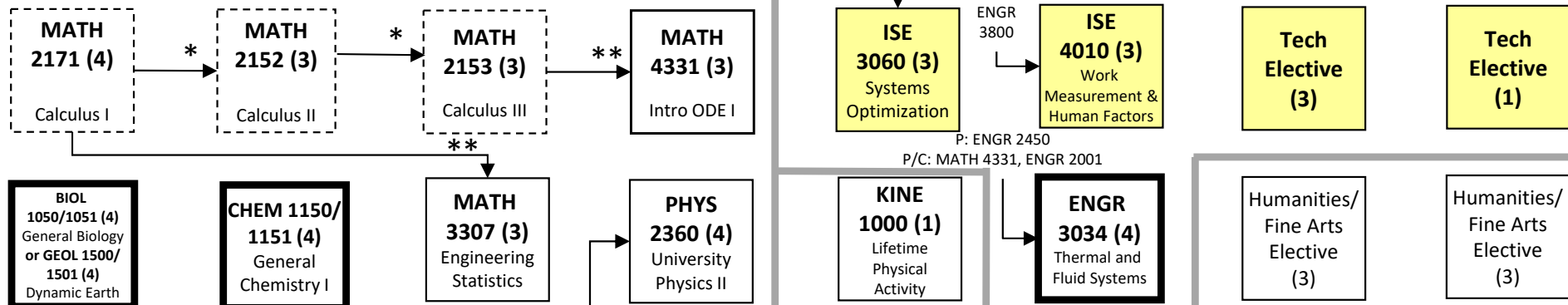
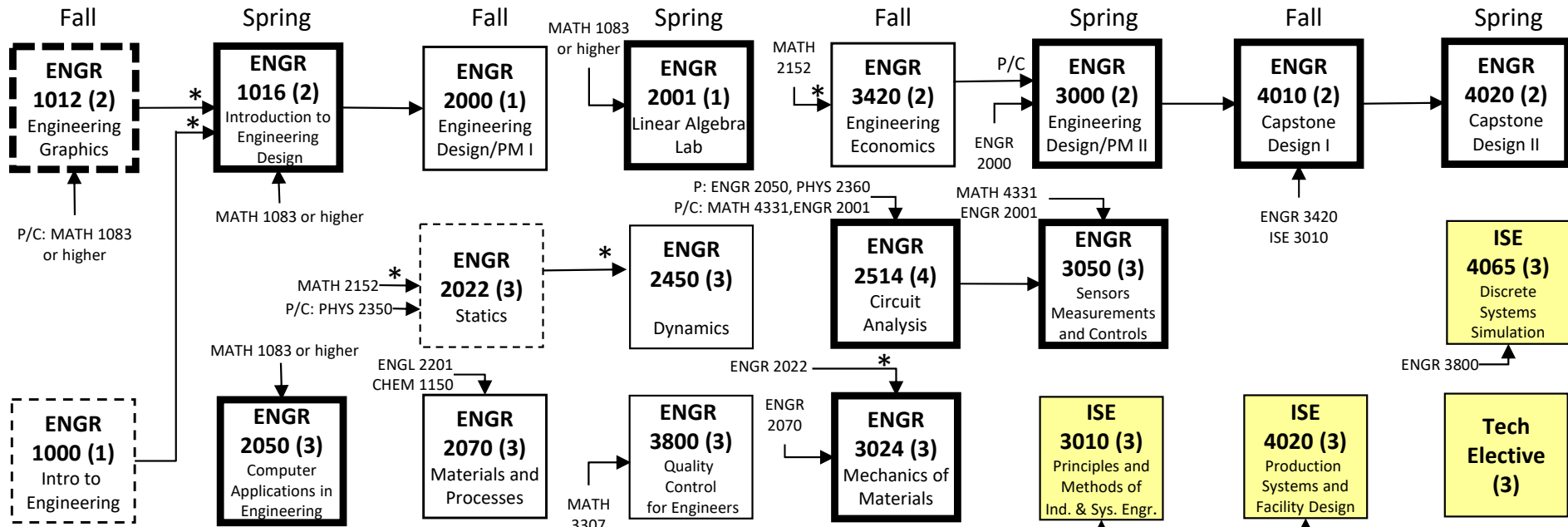
JUNIOR

SENIOR

Engineering: 44 core hours + 22 concentration hours

Math/Science : 32 hours

General: 27 hours



Credit hours per Semester
Cumulative Credit hours

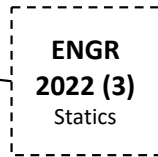
Revision Date: June 13, 2022

See other side for legend, other important information

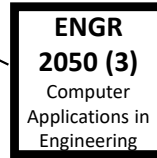
17 15/32 17/49 16/65 16/81 15/96 14/110 15/125

BS Engineering – Industrial Engineering (ISE) Concentration – 2022

Dashed border denotes minimum grade of C required



Bold border denotes class with lab



P/C = pre- or co-requisite
* = C or better required
** = C- or better required

- Concentration-specific courses are **only** offered in the semester shown on this sheet.
- **Diversity:** At least one elective course must be designated as GD (Global Diversity) and at least one elective course must be designated as DD (Domestic Diversity).
- **Humanities/Fine Arts:** Must complete at least one course in the humanities and one course in fine arts.
- **Social Sciences:** Must complete courses in at least two different subject areas.



Find Global
Diversity Classes



Find Domestic
Diversity Classes

- Students may take BIOL 1100/1101 Principles of Biology I/Lab in lieu of BIOL 1050/1051 General Biology I/Lab
- Students may use MATH 2154 Engineering Linear Algebra and Differential Equations as a prerequisite in lieu of ENGR 2001 Linear Algebra Lab 1 or MATH 4331 Introduction to Ordinary Differential Equations
- Approved technical electives for the **Industrial Engineering Concentration** (as of Fall 2021)
 - Any 3000, 4000, or 5000 level engineering class not required for the ISE concentration will count as a technical elective
 - MATH 4100: Mathematics of Risk Analysis
 - MATH 4101: Advanced Calculus I
 - MATH 4110: Elementary Complex Variables
 - MATH 4201: Introduction to Stochastic Processes
 - MATH 4332: The Calculus of Finite Differences
 - MATH 5132: Probabilistic Methods in Operations Research
 - MATH 5774/CSCI 5774: Programming for Research

Note: This chart is for planning purposes only. It is the student's responsibility to ensure that requirements as detailed in the Undergraduate Catalog are met.